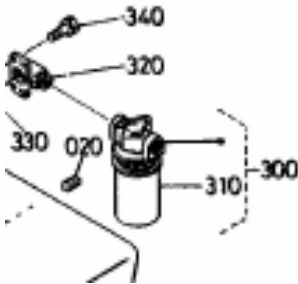
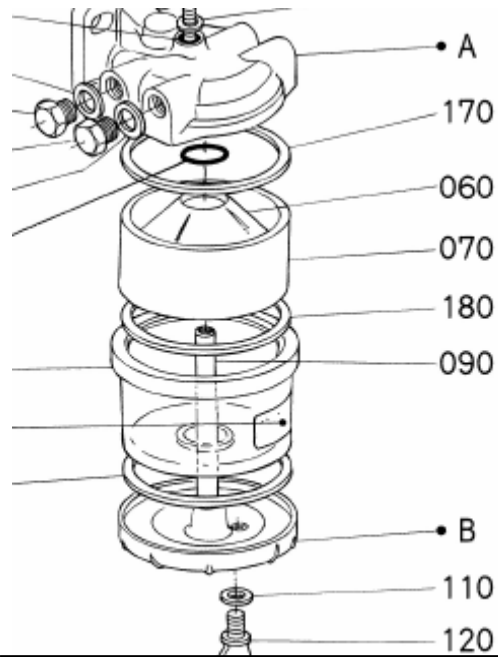


16285-63010 rebuilt starter \$100.00
fits U15 Kubota Excavator pictured in
above diagram in stock as of 07/20/09

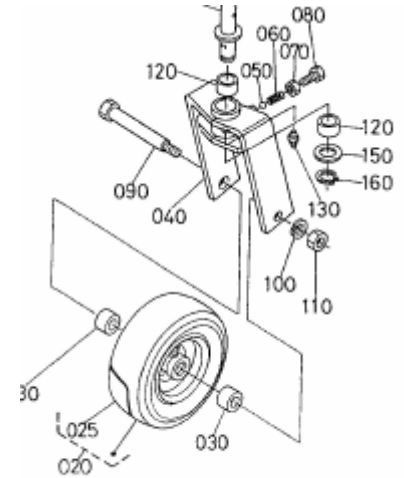


68773-62230 Filter
Fits KH151, 170L, 191, 28L
in stock as of 07/20/09 **\$72.00**

SALE---SALE---SALE---SALE



15451-43382 cone shaped sedimenter
plastic insert #60 in picture
fits M110, 120, 125, 7030, 7580, 8580,
M9580 in stock as of 07/20/09 **\$50.00**



**76543-42240 front mower wheel, fits RC54-
FZ21, RC-F20, in stock as of 07/20/09**
\$82.00

MANUALS

Reduced Prices !!!!!!!

70000-70418 \$10.00 – Owner & Parts Manual – **RC48R-F30**

K1162-71212 \$11.00 – Owner’s – **T1570, 1670, 1770, 1870**

70494-56332 \$10.00 – Owner’s Manual – **FS1020, FS1270**

97898-30388 \$10.00 - Parts Manual- **FS1020. FS1270**

RC408-81297 \$21.00 – Parts Manual – **KX91-2**

97898-21380 \$49.00 Parts Manual – **L2650DT-GST, L2950,
L3450, L3650**

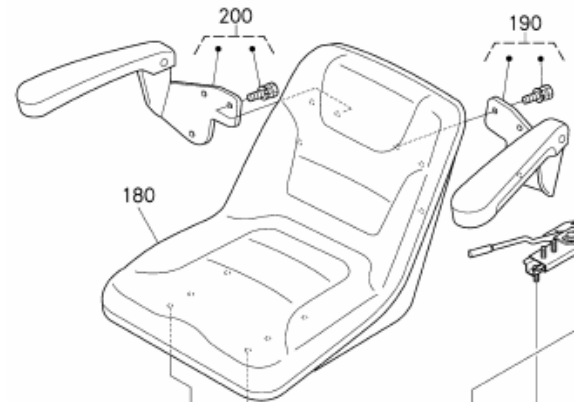
K1211-71221 \$12.00 Owner’s Manual – **TG1860, TG1860G**

K2591-71221 \$20.00 Owner’s Mnl **BX23, LA210-1, BT600**

K5671-71113 \$10.00 Ownwer’s Mnl **RC72-F30, RCK60-F30**

97897-10225 \$110.00 – Repair Manual – **B1550, B1550HST,
B1750, B1750HST, B2150, B2150 HST**

All Manuals in stock as of 07/20/09



6C220-45513 \$60.00 – SEAT ONLY
Armrests sold individually
Fits B2630, B3030, BX25